

MAINTENANCE-FREE VALVE REGULATED LEAD-ACID BATTERIES

JIS TYPE (*A)	GS-YUASA TYPE	NORMINAL VOLTAGE	CAPACITY	HOUR RATE	EXPECTED LIFE (*B)
MSE	MSE	12V	50Ah	10HR	25°C : 7~9 years 35°C : 3.5~4.5 years
		6V	100Ah	10HR	
		2V	150~3000Ah	10HR	
	SNS (LONG LIFE)	12V	50Ah	10HR	25°C : 13~15 years 35°C : 6.5~7.5 years
		6V	100Ah	10HR	
		2V	150~3000Ah	10HR	



INDUSTRIAL ALKALINE BATTERIES

SINTER TYPE

JIS TYPE (*A)	GS-YUASA TYPE	NORMINAL VOLTAGE	CAPACITY	HOUR RATE	EXPECTED LIFE (*B)
AH-S	QFD	1.2V	20~1200Ah	5HR	25°C : 20 years 40°C : 15 years
AHH-S	QFG	1.2V	20~1000Ah	1HR	



POCKET TYPE

JIS TYPE (*A)	GS-YUASA TYPE	NORMINAL VOLTAGE	CAPACITY	HOUR RATE	EXPECTED LIFE (*B)
AM-P	QKC	1.2V	30~1000Ah	5HR	25°C : 20 years 40°C : 15 years
AMH-P	QSC	1.2V	20~1000Ah	5HR	



(*A) JIS : Japanese Industrial Standard

(*B) Expected Life means expected average years of use, not guaranteed performance.
Specifications subject to change without prior notice.

■ Sales company / Department

GS Yuasa International Ltd. Power System Group Trade Division
Tel: +81-(0)3-3597-2403
Fax: +81-(0)3-3597-2405
URL: <http://www.gs-yuasa.com/gyin/en/index.html>

■ Head office 1-8-1, Nishi-Shimbashi, Minato-ku, Tokyo, 105-0003, Japan

■ Description of business Business to export and import of Batteries, Rectifiers, Inverters, other electrical equipment and parts for the mentioned items

■ Manufacturing company GS Yuasa Power Supply Ltd. 1, Inobanba-cho, Nishinosho, Kisshoin, Minami-ku, Kyoto, 601-8520, Japan



POWER SUPPLY SYSTEM INDUSTRIAL BATTERIES / RECTIFIER / INVERTER



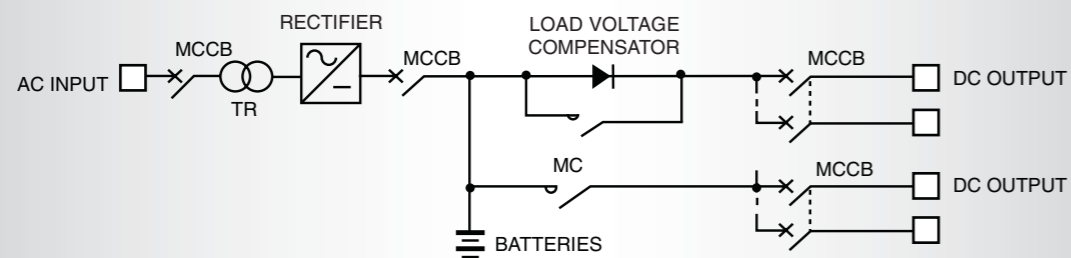
World's Best Reliability and Peace !

POWER SUPPLY SYSTEM : MADE IN JAPAN



THYRISTOR RECTIFIER

AC-DC POWER SUPPLY SYSTEM



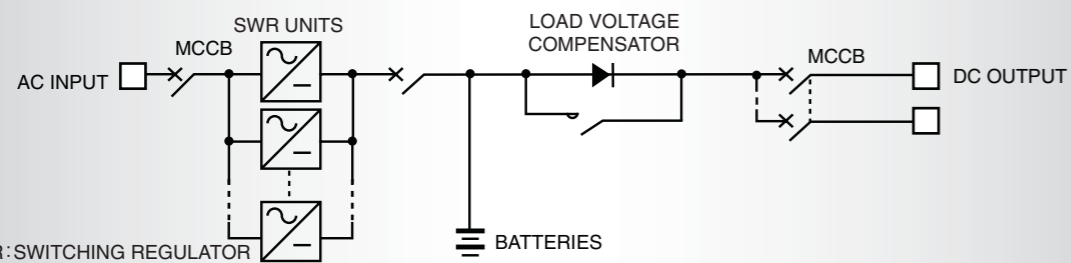
RECTIFIER LINE UP

AC INPUT	DC OUTPUT		SUITABLE BATTERIES
	VOLTAGE	CURRENT	
1 φ 2W OR 3 φ 3W	DC100V OR DC48V OR DC24V	10A	LEAD-ACID BATTERIES ● MSE ● SNS ALKALINE BATTERIES ● AM-P(QKC) ● AMH-P(QKC) ● AH-S(QFD) ● AHH-S(QFG)
		20A	
		30A	
		50A	
		75A	
		100A	
3 φ 3W	DC100V OR DC48V OR DC24V	150A	
		200A	
		300A	
		400A	
		500A	

Note 1. In case your required specification is not listed, please feel free to contact GS Yuasa.

SWITCHING REGULATOR RECTIFIER

AC-DC POWER SUPPLY SYSTEM



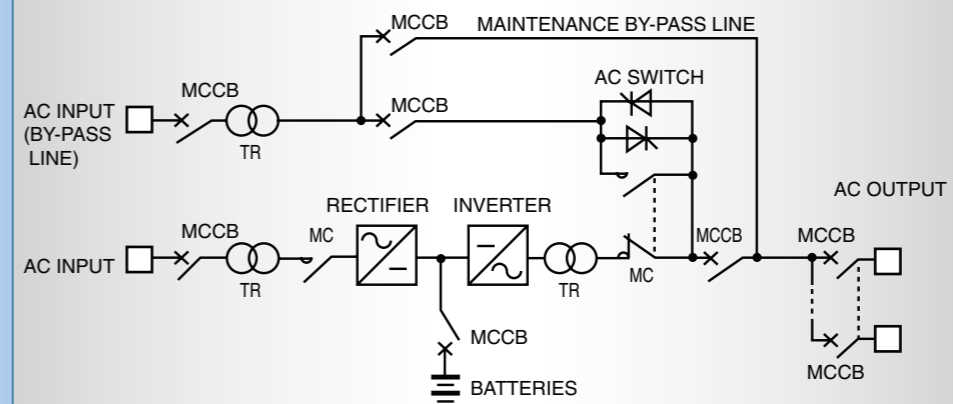
RECTIFIER LINE UP

AC INPUT	DC OUTPUT		SUITABLE BATTERIES
	VOLTAGE	CURRENT	
1 φ 2W	DC24V	30A	LEAD-ACID BATTERIES ● MSE ● SNS
	DC48V	10A, 20A, 30A, 50A	
3 φ 3W	DC24V	100A	
	DC48V	30A, 50A, 100A	

Our rectifier applies to various kinds of output by the combination of switching regulator units.
For example
DC48V 500A SYSTEM → 48V 100A SWR UNITS × 5 pieces
DC24V 60A SYSTEM → 24V 30A SWR UNITS × 2 pieces
Please feel free to contact GS Yuasa for the detail.

UNINTERRUPTIBLE POWER SUPPLY SYSTEM

AC-AC UPS SYSTEM



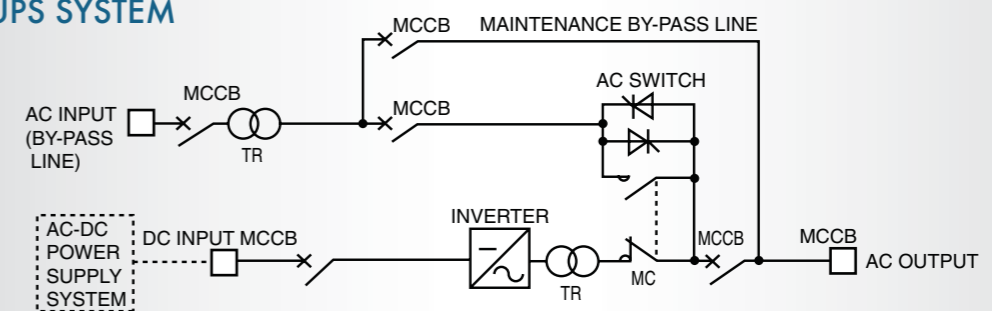
UPS LINE UP

AC INPUT	AC OUTPUT VOLTAGE · CAPACITY			SUITABLE BATTERIES
	1 φ 2W 100V OR 200V	3 φ 3W 200V OR 400V		
3 φ 3W	SINGLE OPERATION	PARAREL OPERATION	SINGLE OPERATION	LEAD-ACID BATTERIES ● MSE ● SNS
	3kVA	3kVA	7.5kVA	
	5kVA	5kVA	10kVA	
	7.5kVA	7.5kVA	15kVA	
	10kVA	10kVA	20kVA	
	15kVA	15kVA	30kVA	
	20kVA	20kVA	40kVA	
	30kVA	30kVA	50kVA	
	40kVA	40kVA	75kVA	
	50kVA	50kVA	100kVA	
75kVA	75kVA	150kVA		
100kVA	100kVA	200kVA		

Note 1. Please consult with GS Yuasa, in case you use Ni-Cd Alkaline Batteries.

Note 2. In case your required specification is not listed, please feel free to contact GS Yuasa.

DC-AC UPS SYSTEM



UPS LINE UP(SINGLE OPERATION)

DC INPUT	AC OUTPUT VOLTAGE · CAPACITY	
	1 φ 2W 100V OR 200V	3 φ 3W 200V OR 400V
100V	1kVA	
	2kVA	
	3kVA	
	5kVA	
100V OR 200V	7.5kVA	7.5kVA
	10kVA	10kVA
	15kVA	15kVA
	20kVA	20kVA
	30kVA	30kVA
	40kVA	40kVA
	50kVA	50kVA(DC INPUT : 200V ONLY)

Note 1. In case your required specification is not listed, please feel free to contact GS Yuasa.