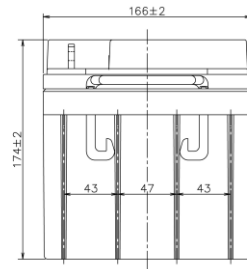
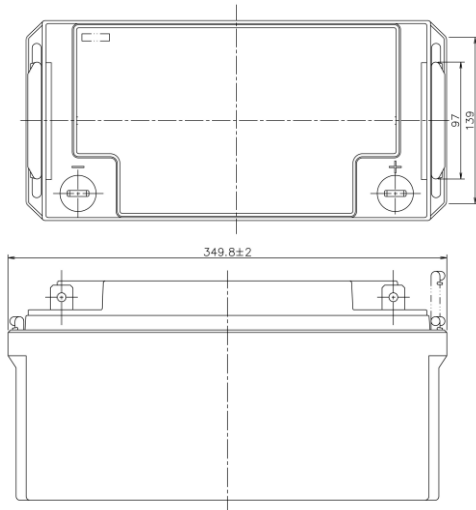




閥調式鉛酸蓄電池(VRLA)  
 Valve Regulated Lead Acid Battery

NP65-12

尺寸 DIMENSION



規範 Specification

- |                                                                                                                                                                                                                                                                                                                                                                                                                                                                                                                                                                                                                                                                                                      |                                                                                                                                                                                                                                                                                                                                                                                                                                                                                                                                                                                                                                                                                                                                                                                                                                                                                                                                                                                                                                                          |                      |            |                      |           |            |                      |
|------------------------------------------------------------------------------------------------------------------------------------------------------------------------------------------------------------------------------------------------------------------------------------------------------------------------------------------------------------------------------------------------------------------------------------------------------------------------------------------------------------------------------------------------------------------------------------------------------------------------------------------------------------------------------------------------------|----------------------------------------------------------------------------------------------------------------------------------------------------------------------------------------------------------------------------------------------------------------------------------------------------------------------------------------------------------------------------------------------------------------------------------------------------------------------------------------------------------------------------------------------------------------------------------------------------------------------------------------------------------------------------------------------------------------------------------------------------------------------------------------------------------------------------------------------------------------------------------------------------------------------------------------------------------------------------------------------------------------------------------------------------------|----------------------|------------|----------------------|-----------|------------|----------------------|
| <ul style="list-style-type: none"> <li>☞ 公稱電壓 Nominal Voltage : 12V</li> <li>☞ 尺寸 Dimension                     <ul style="list-style-type: none"> <li>長度 Length : 349.8±2mm</li> <li>寬度 Width : 166±1mm</li> <li>高度 Case Height : 174±2mm</li> <li>總高 Overall Height : 174±2mm</li> </ul> </li> <li>☞ 重量 Weight (約 Approx.) : 21.5 kg</li> <li>☞ 公稱容量 Nominal Capacity : 65AH / 20HR (25°C)</li> <li>☞ 內部抵抗 Internal Resistance(Approx.) : 約 4.6 mΩ</li> <li>☞ 最大充電電流 Max. Charge current : 16.25A</li> <li>☞ 5秒最大放電電流<br/>Max. Discharge current in 5 seconds : 400A</li> <li>☞ 浮動充電 Float Charging : 13.65±0.15V (25°C)</li> <li>☞ 端子 Terminal :<br/>極柱端子 Top terminal : 螺絲式 Bolt (M6)</li> </ul> | <ul style="list-style-type: none"> <li>☞ 操作溫度範圍 Operating Temperature Range                     <ul style="list-style-type: none"> <li>放電 Discharging -15°C to 45°C</li> <li>充電 Charging -15°C to 45°C</li> <li>放置 Storage -15°C to 45°C</li> </ul> </li> <li>☞ 期待浮充壽命 Expected float use life (25°C) : 3~5 years</li> <li>☞ 容易保養 Easy Maintenance                     <ul style="list-style-type: none"> <li>不會洩漏電解液 No electrolyte leakage</li> <li>確保操作安全性 Ensure safe and efficient operation</li> </ul> </li> <li>☞ 電槽材質 Container Material :                     <table border="0" style="width: 100%; margin-left: 20px;"> <tr> <td>NP65-12</td> <td>難燃等級UL94HB</td> <td>Flame class : UL94HB</td> </tr> <tr> <td>NP65-12FR</td> <td>難燃等級UL94V0</td> <td>Flame class : UL94V0</td> </tr> </table> </li> <li>☞ 把手設計 Handle Including</li> <li>☞ 用途 Applications :<br/>UPS 不斷電系統、電信、緊急照明、警報系統、儀器、太陽能發電系統<br/>UPS(Uninterruptible Power Supply)、Telecommunications、Emergency lighting、Alarm systems、Instrumentation、Solar powered systems</li> </ul> | NP65-12              | 難燃等級UL94HB | Flame class : UL94HB | NP65-12FR | 難燃等級UL94V0 | Flame class : UL94V0 |
| NP65-12                                                                                                                                                                                                                                                                                                                                                                                                                                                                                                                                                                                                                                                                                              | 難燃等級UL94HB                                                                                                                                                                                                                                                                                                                                                                                                                                                                                                                                                                                                                                                                                                                                                                                                                                                                                                                                                                                                                                               | Flame class : UL94HB |            |                      |           |            |                      |
| NP65-12FR                                                                                                                                                                                                                                                                                                                                                                                                                                                                                                                                                                                                                                                                                            | 難燃等級UL94V0                                                                                                                                                                                                                                                                                                                                                                                                                                                                                                                                                                                                                                                                                                                                                                                                                                                                                                                                                                                                                                               | Flame class : UL94V0 |            |                      |           |            |                      |

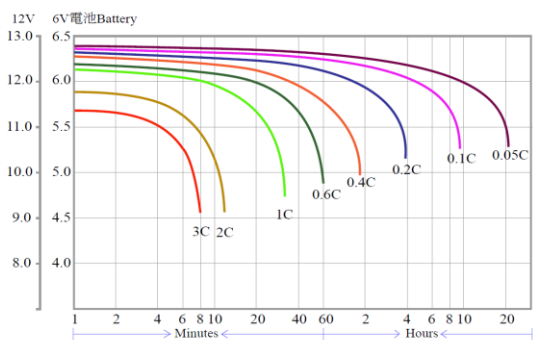
# NP65-12 性能規格 PERFORMANCE SPECIFICATION : 安培 Amperes and 瓦特 Watts at 25°C ( 77°F )

F.V.	TIME	5M	10M	15M	20M	30M	45M	1H	2H	3H	4H	5H	8H	10H	20H
		10.80V	W	2240	1781	1422	1178	872	641	518	291	208	165	138	95.7
	A	199	156	123	101	74.5	54.4	43.7	24.4	17.3	13.7	11.4	7.84	6.52	3.40
10.50V	W	2447	1887	1497	1234	910	666	537	301	214	169	142	98.3	80.7	42.3
	A	220	167	131	107	78.4	57.0	45.7	25.4	18.0	14.1	11.8	8.09	6.72	3.51
10.20V	W	2624	1964	1549	1271	933	681	548	305	217	172	143	99.5	81.5	42.7
	A	241	177	137	111	81.3	58.9	47.1	26.0	18.3	14.4	12.0	8.23	6.83	3.56
9.90V	W	2786	2025	1589	1297	949	690	554	308	218	172	144	100	82.3	43.1
	A	261	185	143	115	83.7	60.3	48.1	26.5	18.6	14.6	12.1	8.31	6.89	3.59
9.60V	W	2935	2073	1619	1316	959	696	558	309	218	173	144	100	83.1	43.6
	A	281	194	148	119	85.8	61.6	49.0	26.8	18.8	14.7	12.2	9.35	6.92	3.61

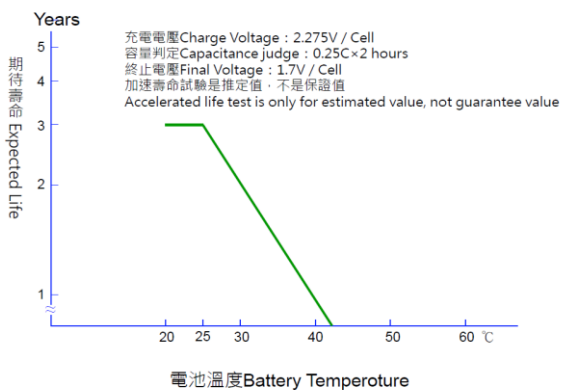
## 特性 Characteristics

### 放電特性 DISCHARGE CHARACTERISTICS

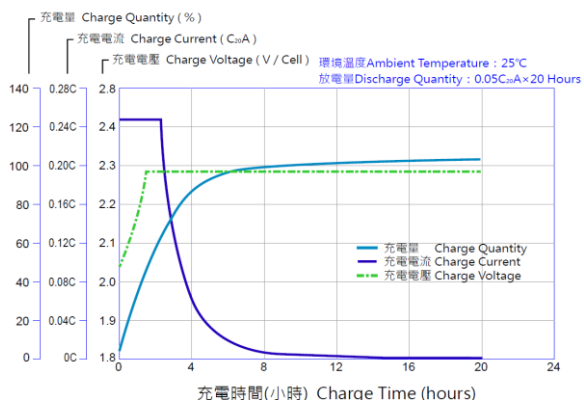
放電曲線 Discharge Characteristics Curves at 25°C



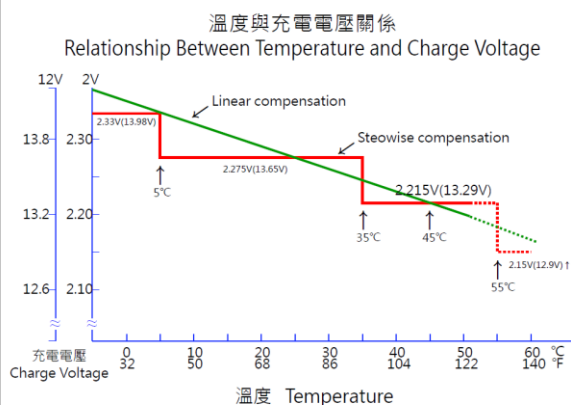
### 浮充期待壽命 Float Service Life



### 充電特性 CHARGE CHARACTERISTICS



### 充電電壓 CHARGE VOLTAGE



臺灣湯淺電池股份有限公司 新北市新莊區福營路 227 巷 11 號 TEL:(02)2901-8261 FAX:(02)2903-9626  
 TAIWAN YUASA BATTERY CO.,LTD No.11, Ln. 227, Fuying Rd., Xinzhuang Dist., New Taipei City http://www.yuasa.com.tw/